

Moisture Balances incorporate Infrared halogen tube heating  
& EMFC weighing for rapid & precise moisture determination



**CONTECH**<sup>®</sup>  
**Instruments Ltd.**  
AN ISO 9001-2008 COMPANY

*Where innovation never stops...*



**Contech Moisture Balances** incorporate rapid Halogen heating with EMFC precision weighing technology to determine moisture content of samples quickly & effectively.

**Features**

- ♦ Easy & Fast Moisture Determination.
- ♦ 3 types of Testing Methods:- Manual, Time Programmable, Automatic.
- ♦ Weighing based on EMFC technique
- ♦ Heating by infrared halogen tube heater.
- ♦ Temperature range upto 200°C (1°C).
- ♦ Moisture range : 0.05% to 100%
- ♦ Moisture measurement : Unit- % wet base  
% dry base  
dry weight  
% dry to wet weight
- ♦ Display of time, temperature, weight & percentage moisture.
- ♦ Graphical Backlite LCD for displaying weight, setup parameters, testing parameters & results.
- ♦ RS-232 interface for connecting to a computer/printer.
- ♦ Data storage upto 50 tests.
- ♦ 10 programmable memory.
- ♦ Study of pattern of moisture loss by printing/display on computer screen of online data-elapsed time, present sample weight and percentage moisture loss. Elapsed time Interval can be programmed - 10,20,30,60 & 120 seconds.



**Specifications**

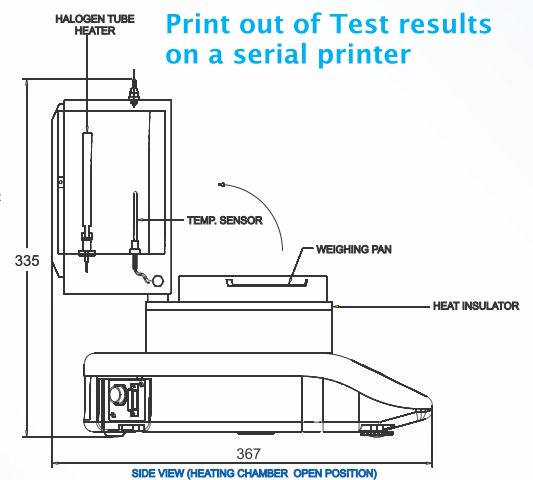
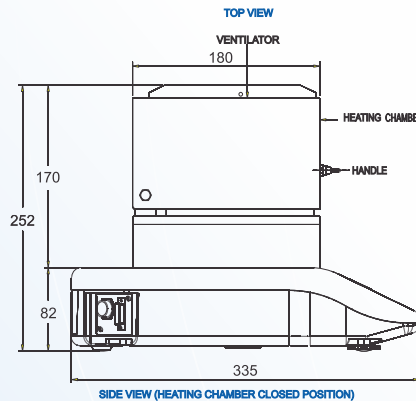
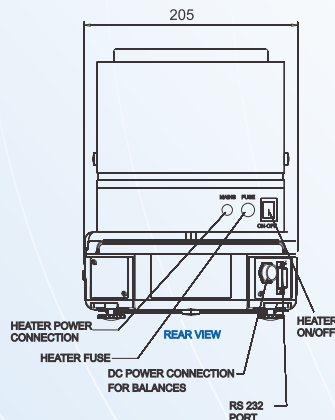
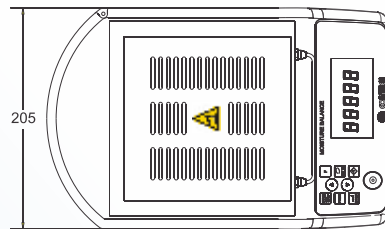
<b>Model</b>	CB 50 (M)	CA-123 (M)	CA-223(M)
<b>Capacity</b>	50g	120g	220g
<b>Readability</b>	0.001g	0.001g	0.001g
<b>Pan Size</b>	100 mm	100 mm	100 mm

**Taring Range :** Up to full capacity  
**Response time :** 4 to 6 secs  
**Power Req :** 230V ±10%, 50/60Hz, 550 Watt  
**Operating Temperature :** 10 to 45 deg C

**Moisture Content :**  
**Accuracy :** 0.05% for sample above 5g  
 0.1% for sample below 5g  
**Resolution:** 0.1%

EL. TIME	WEIGHT	MOISTURE
MIN.	g	%
00:00	5.151 g	0.00 10%
00:10	5.148 g	0.05 10%
00:20	5.147 g	0.07 10%
00:30	5.143 g	0.15 10%
00:40	5.140 g	0.21 10%
00:51	5.140 g	0.21 10%
01:00	5.140 g	0.21 10%
01:10	5.140 g	0.21 10%
01:20	5.140 g	0.21 10%
01:30	5.139 g	0.22 10%

CONTECH MOISTURE BALANCE  
 MODEL : CB-50  
 S.No. : 999999  
 P/C ID : 19/03/11 14:02:00  
 SAMPLE :  
 TEST MODE : AUTO  
 TEST UNIT : % MOIST  
 TEMPERATURE : 100 DEG C  
 INITIAL WT. : 5.151 g  
 FINAL WT. : 5.140 g  
 TOTAL TIME : 01:40min  
 END RESULT : 0.21 10%  
 REMARKS :



Print out of Test results on a serial printer

Specifications and Design are subject to changes for improvement

**CONTECH INSTRUMENTS LTD.**

301, Punit Indl. Premises, Turbhe Naka, Navi Mumbai - 400 705.  
 Tel. :+91 22 2761 1176 / 77 / 78 / 79 / 80, 2761 8431  
 3245 9901 / 02 / 06 / 18 Fax :+91 22 2761 8421  
 E-mail: info@contechindia.in / sales@contechindia.in  
 Website: www.contechindia.com



State Of The Art Manufacturing Plant  
 Plot No. EL-221 TTC Indl. Area, MIDC (Electronic Zone), Mhape, Navi Mumbai-400 701.