

CRANE SCALES

500g to 10ton

(2, 3, 5, 10 ton)

STANDARD CRANE SCALES (CCS)

Features :

- ♦ Rugged aluminum diecast enclosure.
- ♦ 25 mm height LED display
- ♦ Maximum safety overload 200%.
- ♦ Inbuilt sealed maintenance free re-chargeable battery and battery charger (Optional)
- ♦ RF keyboard, operating distance 20mtr. (optional)
- ♦ RS-232 Interface (Optional)
- ♦ Multiple print options with Sr. No, Date, Time & Weight in horizontal / vertical mode.
- ♦ Date & Time entry facility.
- ♦ Multiple weighing units.
- ♦ Storage of weights in memory upto 100 samples.
- ♦ Power saving by switching off the display.
- ♦ Automatic zero tracking.
- ♦ Software linearity correction.
- ♦ Display hold facility.
- ♦ Gross & Net Weight function.



Common Specifications :

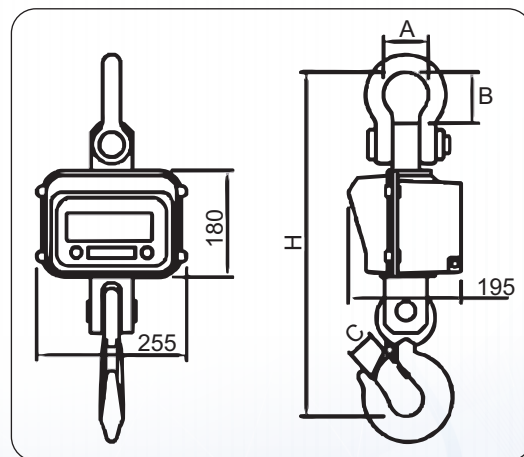
MODELS	CAPACITY	ACCURACY	DIMENSION				NET WT. (Kg)
			H	A	B	C	
CCS-2T500	2 ton	500g	465	56	65	25	12
CCS-3T1K	3 ton	1Kg	495	56	65	32	13
CCS-5T2K	5 ton	2Kg	595	72	90	36	18
CCS-10T5K	10 ton	5Kg	660	90	110	50	29

Taring Range : Up to full capacity

Response time : 5 seconds

Power Req : 90-250V, 50/60Hz, 10 Watt

Operating Temperature : 10 to 45 deg C



All Specifications and designs are subject to change for improvement.