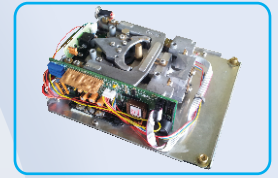


# FLAMEPROOF BALANCES

0.1 mg - 5 kg

**CONTECH** High Precision Balances incorporate advanced Electro Magnetic Force Compensation (EMFC) technology for offering unmatched accuracy and reliability, coupled with unique ADC circuit with inbuilt temperature compensation to offer a very high stability upto a resolution of 6 million counts. All adjustment parameters are programmable to take care of any minor mismatch of different sub assemblies & Balances are configured with these parameters.



Advanced EMFC Transducer

Flameproof cum weather proof enclosure with glass window, push button, rotary switch in cast aluminium construction in compliance with requirements in respect of flameproofness and temperature class suitable for use in Zone 1 & Zone 2 and gas groups IIA & IIB atmospheres. Certified by Central Institute of Mining & Fuel Research, Govt. of India.

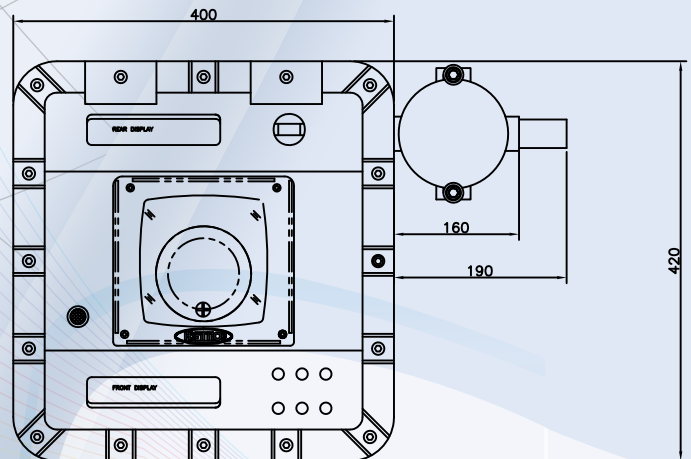
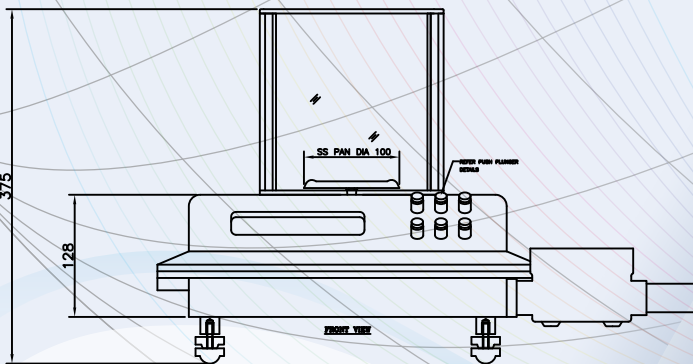
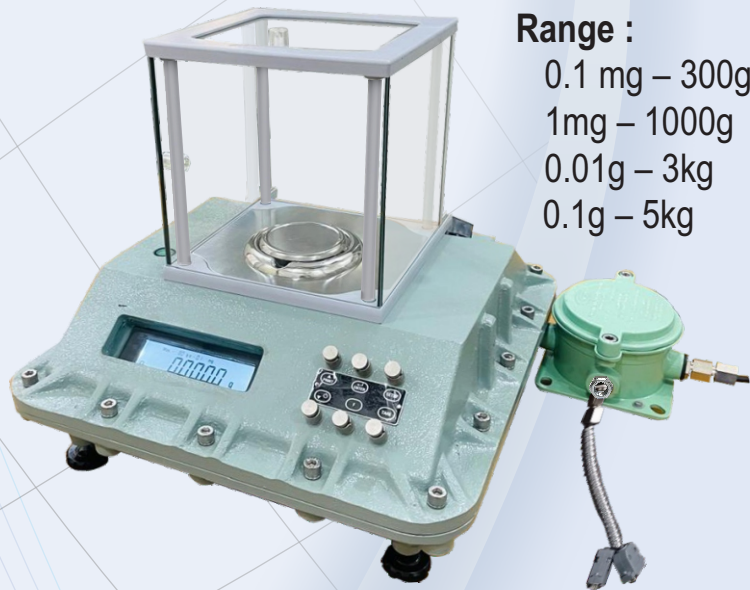
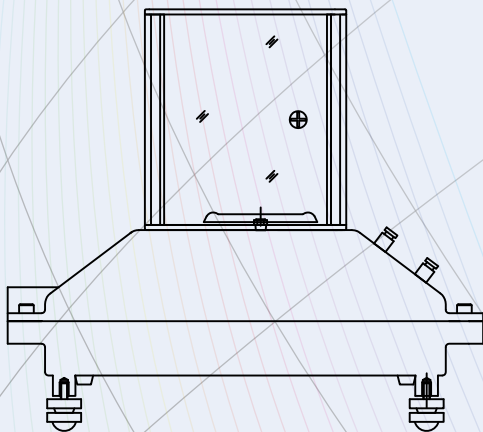
## Range :

0.1 mg – 300g

1mg – 1000g

0.01g – 3kg

0.1g – 5kg



## Specifications :

Taring Range : Up to full capacity

Response time : 3-5 seconds

Power Req : 90-250V, 50/60Hz, 10 Watt

Operating Temperature : 10 to 45 deg C

All Specifications and designs are subject to change for improvement.