

PRECISION BALANCES (without motorized internal calibration)

0.01g to 1200g

CONTECH High Precision Balances incorporate advanced Electro Magnetic Force Compensation (EMFC) technology for offering unmatched accuracy and reliability, coupled with unique ADC circuit with inbuilt temperature compensation to offer a very high stability upto a resolution of 6 million counts. All adjustment parameters are programmable to take care of any minor mismatch of different sub assemblies & Balances are configured with these parameters.



Advanced EMFC Transducer

Standard Features

Backlite LCD Display

Customized, large, attractive LCD with multiparameter display illuminated by white backlite.

Bi directional RS 232 interface

RS 232 port with selectable baud rate 4800,9600. Various interface formats adopting this Balance in a setup to replace any other leading international brand Balance. Can be configured for an USB interface using optional RS 232 to USB converter.

GSM function

GSM function for paper & cloth quality checking.

Multiple Weighing Units

Grams, Ounces, Troy Ounces, Carats, Mommies, Pennyweights, Grains, tola, Mesghal, Chinese taels.

Percentage Weighing

Display of Reference weight, sample weight, % of sample with respect to reference weight

Piece Counting

Parts calibration using preset quantity of samples or programmable quantity. Automatic count correction for precise calibration.

Fill Mode

1 set point - Indication when sample weight exceeds the set limit.
2 set points - Indication when the sample weight is between the lower & upper limits.

Accumulation

Storage of maximum 200 samples.

Multiple Printing Mode

0,1,2,3 modes for various formats.Pause in case data storage capacity in a Printer is less.

External Calibration

Using preset weights.
Known weights can be corrected to ± 15 counts.

Response Time:

User selectable - Slow / Normal /Fast.

Stability Band Width

Stability indicator appears on display with counts variation $\pm 1, \pm 2, \pm 3, \pm 4$.

Auto Zero Tracking

User selectable 0,1,2,3

Return to Zero Tracking

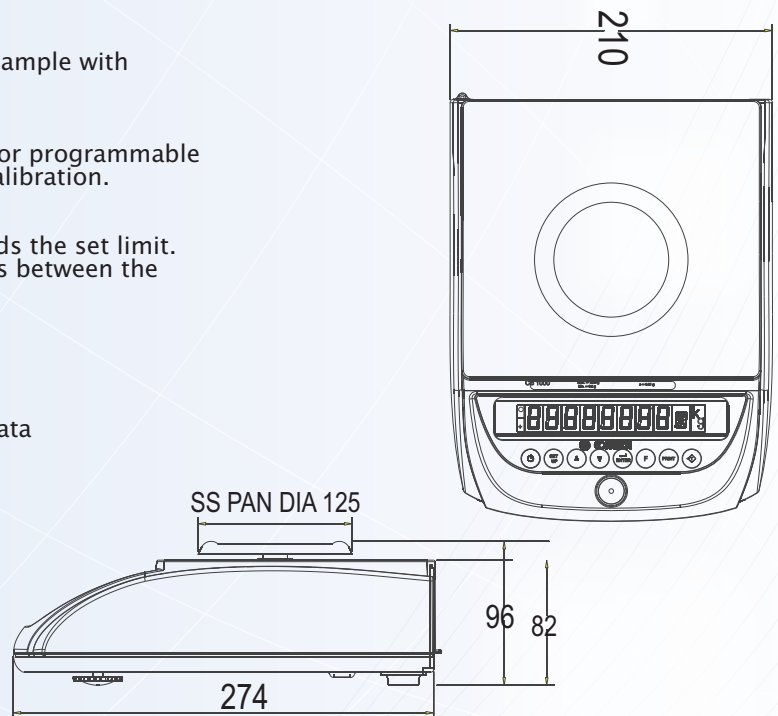
Variable: 0,1,2,3,4

Display Updation

Speed setting : Fast / Normal.



0.01g-1200g



Models	CBB-600	CBB-1000	CA-1202	CBB-360D	CBB-600D	CBB-603D	CBB-1000D
Capacity	600g	1000g	1200g	60/300g	300/600g	100/600g	500/1000g
Readability	0.01g	0.01g	0.01g	0.001/0.01g	0.005/0.01g	0.001/0.01g	0.005/0.01g
Repeatability (\pm)	0.01g	0.01g	0.01g	0.001/0.01g	0.005/0.01g	0.002/0.01g	0.01/0.02g
Linearity (\pm)	0.01g	0.02g	0.02g	0.002/0.02g	0.005/0.02g	0.002/0.02g	0.01/0.02g
Pan Size(mm)	125	125	150	100	125	100	125

Optional Features

- ♦ RS 232 to USB interface converter.
- ♦ ISO GLP compliance.
- ♦ Real time clock (RTC).
- ♦ Density determination kit.
- ♦ Weigh below hook for density determination.
- ♦ Yarn count with temperature compensation.
- ♦ Denier measurement for silk & synthetic yarn.
- ♦ Cocoon assessment with statistical analysis for cocoons.
- ♦ Software for SQC (Statistical Quality Control) for Pharmaceutical Industries.
- ♦ Vacuum fluorescent display (VFD).

Specifications :

Taring Range : Up to full capacity
Response time : 3-5 seconds
Power Req : 90-250V, 50/60Hz, 10 Watt
Operating Temperature : 10 to 45 deg C

All Specifications and designs are subject to change for improvement.