

**CONTECH** High Precision Balances incorporate advanced Electro Magnetic Force Compensation technology for offering unmatched accuracy and reliability coupled with unique ADC circuit with inbuilt temperature compensation to offer a very high stability upto a resolution of 2 million counts. All adjustment parameters are programmable to take care of any minor mismatch of different sub assemblies & Balances are configured with these parameters.



Advanced EMFC Transducers

## SEMI MICRO / ANALYTICAL BALANCES

0.00001g to 230g

### Standard Features

#### Backlite LCD Display

Customized, large, attractive LCD with multiparameter display illuminated by white backlite.

#### Bi directional RS 232 interface

RS 232 port with selectable baud rate 2400, 4800  
Various interface formats adopting this Balance in a setup to replace any other leading international brand Balance.

#### GSM function

GSM function for paper & cloth quality checking.

#### Multiple Weighing Units

Grams, Ounces, Troy Ounces, Carats, Mommies, Pennyweights, Grains, tola, Mesghal, Chinese tael.

#### Percentage Weighing

Display of Reference weight, sample weight, % of sample with respect to reference weight

#### Piece Counting

Parts calibration using preset quantity of samples or programmable quantity. Automatic count correction for precise calibration.

#### Fill Mode

1 set point - Indication when sample weight exceeds the set limit.  
2 set points - Indication when the sample weight is between the lower & upper limits.

#### Accumulation

Storage of maximum 200 samples.

#### Multiple Printing Mode

0,1,2,3 modes for various formats. Pause in case data storage capacity in a Printer is less.

#### External Calibration

Using preset weights.  
Known weights can be corrected to  $\pm 15$  counts.

#### Response Time:

User selectable - Slow / Normal /Fast.

#### Stability Band Width

Stability indicator appears on display with counts variation  $\pm 1, \pm 2, \pm 3, \pm 4$ .

#### Auto Zero Tracking

User selectable 0,1,2,3

#### Return to Zero Tracking

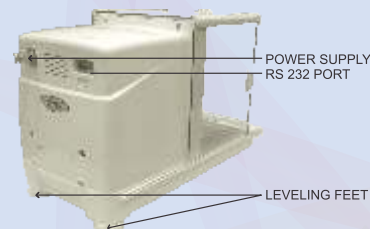
Variable: 0,1,2,3,4

#### Display Updation

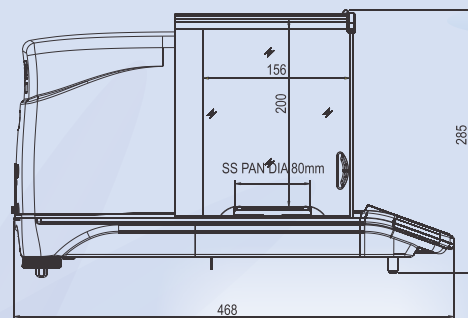
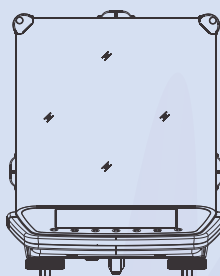
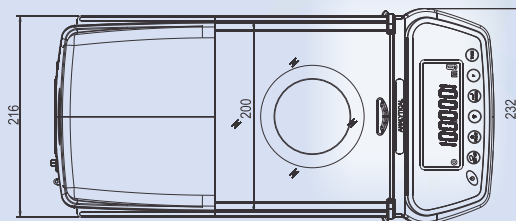
Speed setting : Fast / Normal.

### Optional Features

- Motorized internal calibration.
- ISO GLP compliance.
- Real time clock (RTC).
- Density determination kit.
- Software for weigh below hook for density determination.
- Software for Yarn count with temperature compensation.
- Software for Denier measurement for silk & synthetic yarn.
- Software for Cocoon assessment with statistical analysis for cocoons.
- Software for SQC (Statistical Quality Control) for Pharmaceutical Industries.



Customized, large, attractive LCD with Multiparameter display illuminated by white backlite



Models	CA-224D	CA-234	CA-164
Capacity	30/220g	230g	160g
Readability	0.00001g/0.0001g	0.0001g	0.0001g
Repeatability (+/-)	0.03/0.2 mg	0.2 mg	0.2 mg
Linearity (+/-)	0.04/0.4 mg	0.4 mg	0.3 mg
Pan Size (mm)	80	80	80

### Specifications for all Laboratory Balances

Taring Range : Up to full capacity  
Response time : 3 seconds  
Power Req : 90-250V, 50/60Hz, 10 Watt  
Operating Temperature : 10 to 45 deg C

Models	CA - 34	CA-64	CA-124
Capacity	30g	60g	120g
Readability	0.0001g	0.0001g	0.0001g
Repeatability (+/-)	0.1 mg	0.1 mg	0.2 mg
Linearity (+/-)	0.2 mg	0.2 mg	0.3 mg
Pan Size (mm)	80	80	80

The balance is supplied with Breeze shield as standard.

