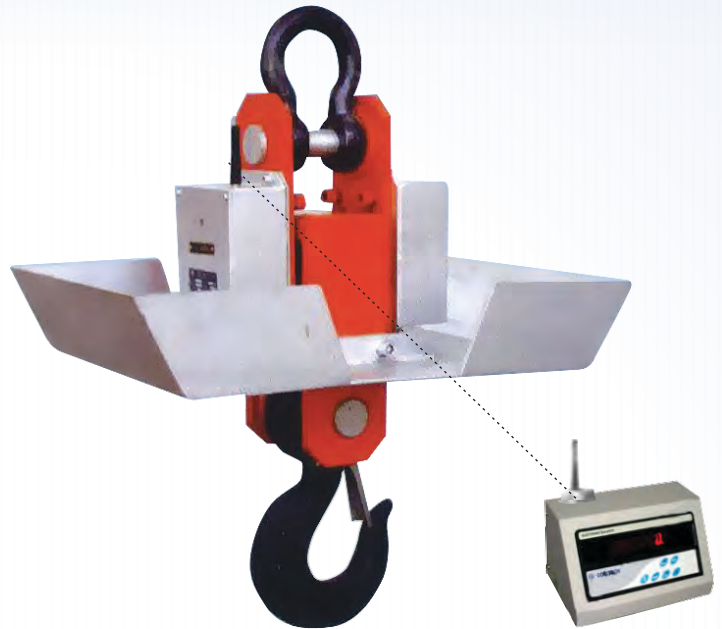
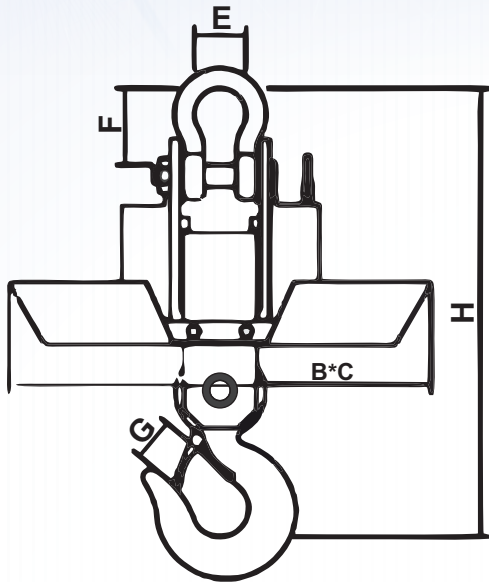


**CRANE SCALES wireless Transmission,
High-temperature thermal insulation and armored type**

20kg to 50ton



MODELS	CAPACITY	ACC	NET WT. (Kg)
CCS-30T/20K	30000Kg	20Kg	370
CCS-50T/50K	50000Kg	50Kg	750

- ▶ Special design for high-temperature thermal insulation use, with normal operation at least 2m away from heat radiation source at 1500°C.
- ▶ High-strength alloy steel.
- ▶ U-shaped structure with compression-typed sensor.
- ▶ Wireless transmission distance between scale & indicator is 50m (approx).
- ▶ Maximum safety overload : 125% F.S.
- ▶ Limited overload : 400% F.S.

All Specifications and designs are subject to change for improvement.