

CRANE SCALES

10kg to 50ton

(30, 40, 50 ton)

STANDARD CRANE SCALES (CCS)

Features :

- ◆ Steel heavy duty enclosure.
- ◆ 38mm height LED display.
- ◆ Maximum safety overload 200%.
- ◆ Inbuilt sealed maintenance free re-chargeable battery and battery charger (Optional)
- ◆ RF keyboard, operating distance 20mtr. (optional)
- ◆ RS-232 Interface (Optional)
- ◆ Multiple print options with Sr. No, Date, Time & Weight in horizontal / vertical mode.
- ◆ Date & Time entry facility.
- ◆ Multiple weighing units.
- ◆ Storage of weights in memory upto 100 samples.
- ◆ Power saving by switching off the display.
- ◆ Automatic zero tracking.
- ◆ Software linearity correction.
- ◆ Display hold facility.
- ◆ Gross & Net Weight function.



Common Specifications :

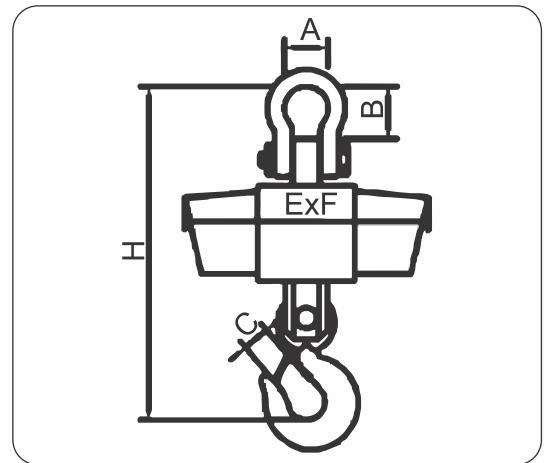
MODELS	CAPACITY	ACCURACY	DIMENSION				E x F	NET WT. (Kg)
			H	A	B	C		
CCS-30T10K	30 ton	10Kg	1110	160	260	90	500x310	156
CCS-40T20K	40 ton	20Kg	1200	180	220	110	440x410	235
CCS-50T20K	50 ton	20Kg	1310	200	270	110	440X410	280

Taring Range : Up to full capacity

Response time : 5 seconds

Power Req : 90-250V, 50/60Hz, 10 Watt

Operating Temperature : 10 to 45 deg C



All Specifications and designs are subject to change for improvement.