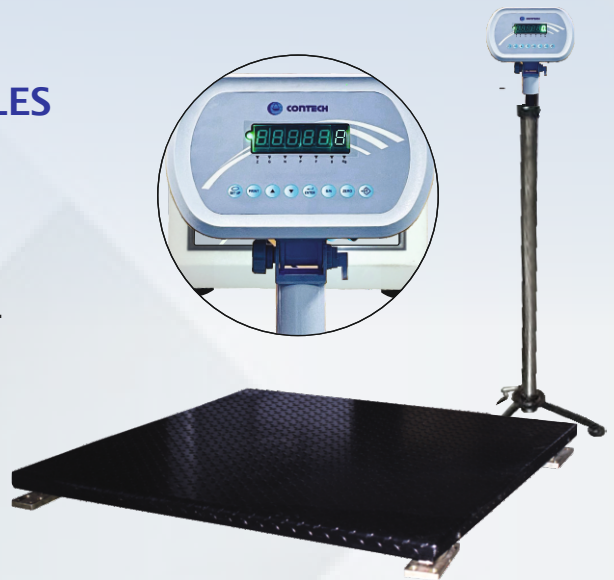


FLOOR SCALES

200g to 10ton

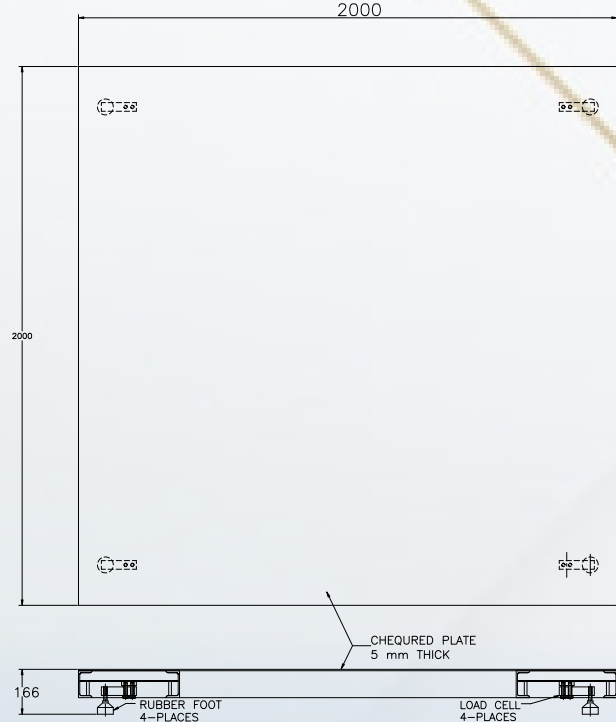
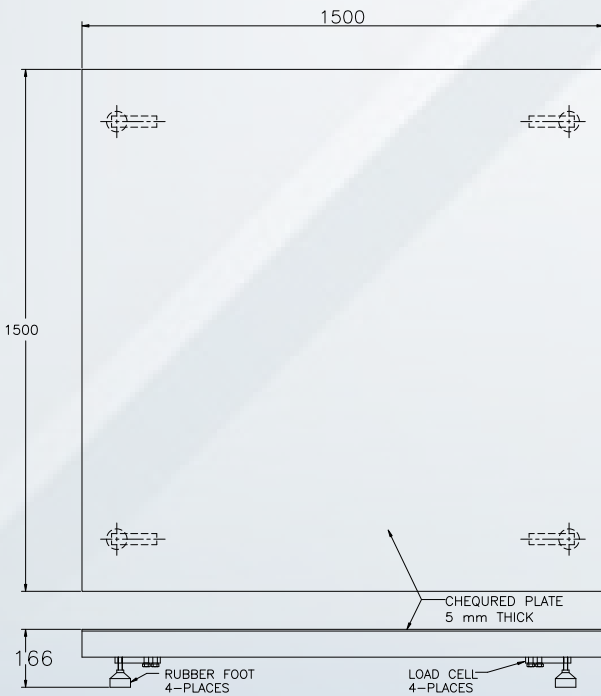
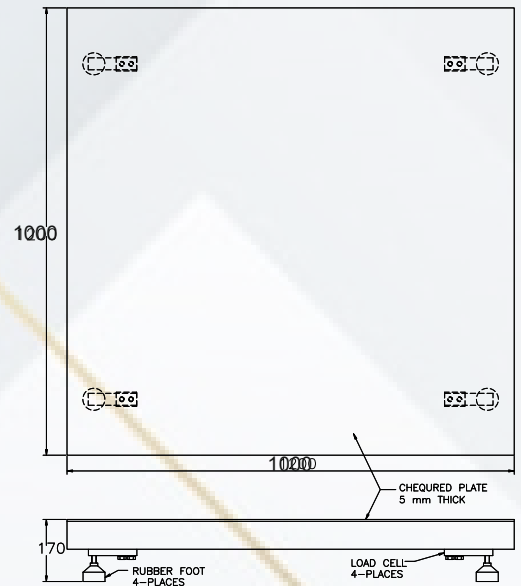
Features :

- ◆ Indicator housed in a sturdy metal enclosure.
- ◆ Bright LED display.
- ◆ Multiple functions: Parts counting, accumulation, net/gross.
- ◆ Standard bi-directional RS-232 interface.
- ◆ Overload & shock load protection.
- ◆ Bright Red LED display.
- ◆ High bright green LED display (optional).
- ◆ Battery backup (optional).
- ◆ Rechargeable sealed maintenance free battery.
- ◆ Material of load plate is powder coated MS checkered sheet.



Models	CPL-2T500
Capacity	2Ton
Readability	500g
Platform Size(mm)	1000x1000

Taring Range : Up to full capacity
 Response time : 3-5 secs
 Power Req : 90-250V, 50/60Hz, 10 Watt
 Operating Temperature : 10 to 45 deg C



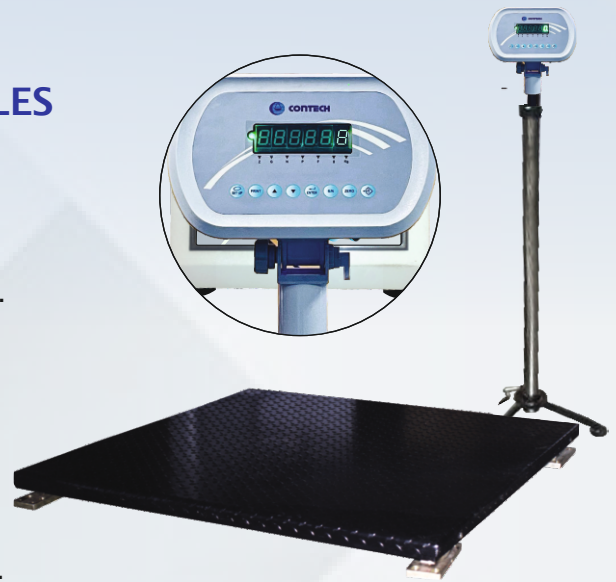
All Specifications and designs are subject to change for improvement.

FLOOR SCALES

200g to 10ton

Features :

- ◆ Indicator housed in a sturdy metal enclosure.
- ◆ Bright LED display.
- ◆ Multiple functions: Parts counting, accumulation, net/gross.
- ◆ Standard bi-directional RS-232 interface.
- ◆ Overload & shock load protection.
- ◆ Bright Red LED display.
- ◆ High bright green LED display (optional).
- ◆ Battery backup (optional).
- ◆ Rechargeable sealed maintenance free battery.
- ◆ Material of load plate is powder coated MS checkered sheet.



Specifications :

Capacity	CPL-1T/2T	CPL-2T/3T	CPL-3T/5T
Readability	200g/500g	500g	1kg/2kg
Platform Sizes(mm)	1200x1200	1500x1500	2000x2000

Taring Range : Up to full capacity
 Response time : 3-5 secs
 Power Req : 90-250V, 50/60Hz, 10 Watt
 Operating Temperature : 10 to 45 deg C

